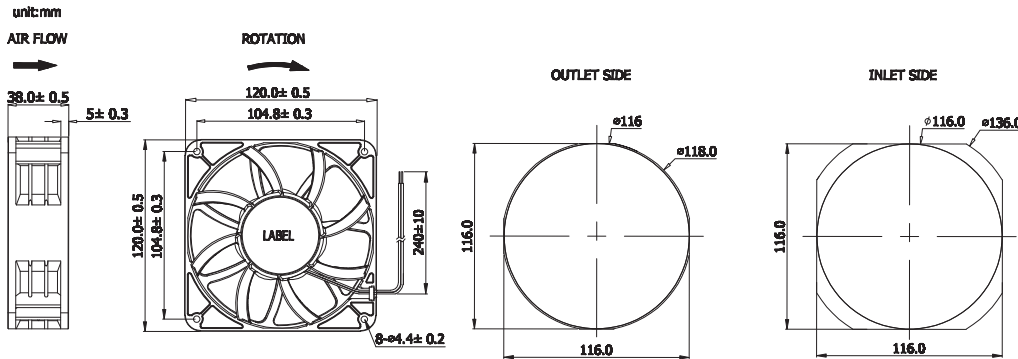
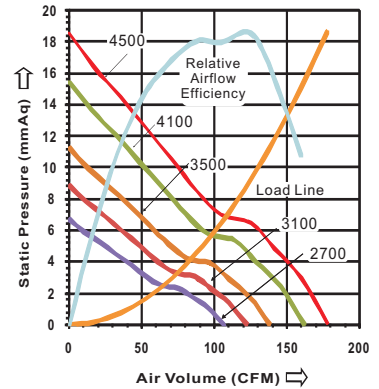


**120x120x38mm (4.72x4.72x1.50in) - 7 blade**



Bearing System— 2 Ball Bearing,  
 Life Expectancy— Ball 100000hrs @ 4200RPM @ 30° C  
 Frame----- Thermoplastic PBT+30% GF, UL94-V0  
 Impeller----- Thermoplastic PBT+15% GF, UL94-V0  
 Lead Wire----- UL 1007, AWG 24, 240±10mm, Red(+), Black(-)  
 Protection----- Locked rotor protection  
 IP Grade ----- IP51, IP54, IP56, IP67, IP68



Dim: 524x328x295mm  
 N.W.: 16.1 kgs  
 G.W.: 14.0 kgs  
 Q'TY: 40 pcs



FUNCTIONS	PART NUMBER	RATED (VDC)	LABEL CURRENT	ACTUAL CURRENT	POWER (WATTS)	SPEED (RPM)	AIRFLOW (CFM)(m³/min)	PRESSURE (mmAq)(In H²O)	NOISE (dBA)	WEIGHT (Q'TY/CTN)
1b:AS 2a:FG 2b:RD 2c:RDb 6:CL	R1238Y12BPLBxy-7	12 (08~14)	1.770	1.500	18.00	4500	178.28 5.05	18.58 0.73	57.60	350g (40pcs)
	R1238X12BPLBxy-7		1.440	1.200	14.40	4100	162.43 4.60	15.42 0.61	54.00	
	R1238H12BPLBxy-7		0.860	0.750	9.00	3500	138.66 3.93	11.24 0.44	49.70	
	R1238M12BPLPxy-7		0.640	0.530	6.36	3100	122.81 3.48	8.82 0.35	47.30	
	R1238L12BPLPxy-7		0.410	0.360	4.32	2700	106.97 3.03	6.69 0.26	43.10	
	R1238Y24BPLBxy-7	24 (15~27)	0.850	0.720	17.28	4500	178.28 5.05	18.58 0.73	57.60	350g (40pcs)
	R1238X24BPLBxy-7		0.630	0.550	13.20	4100	162.43 4.60	15.42 0.61	54.00	
	R1238H24BPLBxy-7		0.370	0.350	8.40	3500	138.66 3.93	11.24 0.44	49.70	
	R1238M24BPLPxy-7		0.290	0.255	6.12	3100	122.81 3.48	8.82 0.35	47.30	
	R1238L24BPLPxy-7		0.180	0.180	4.32	2700	106.97 3.03	6.69 0.26	43.10	
R1238Y48BPLBxy-7	48 (36~57)	0.540	0.360	17.28	4500	178.28 5.05	18.58 0.73	57.60	350g (40pcs)	
R1238X48BPLBxy-7		0.300	0.280	13.44	4100	162.43 4.60	15.42 0.61	54.00		
R1238H48BPLBxy-7		0.180	0.180	8.64	3500	138.66 3.93	11.24 0.44	49.70		
R1238M48BPLPxy-7		0.140	0.140	6.72	3100	122.81 3.48	8.82 0.35	47.30		
R1238L48BPLPxy-7		0.120	0.110	5.28	2700	106.97 3.03	6.69 0.26	43.10		
1b:AS 2a:FG 2b:RD 2c:RDb 6:CL	G1238Y12BPLBxy-7	12 (08~14)	1.770	1.500	18.00	4500	178.28 5.05	18.58 0.73	57.60	350g (40pcs)
	G1238X12BPLBxy-7		1.440	1.200	14.40	4100	162.43 4.60	15.42 0.61	54.00	
	G1238H12BPLBxy-7		0.860	0.750	9.00	3500	138.66 3.93	11.24 0.44	49.70	
	G1238M12BPLPxy-7		0.640	0.530	6.36	3100	122.81 3.48	8.82 0.35	47.30	
	G1238L12BPLPxy-7		0.410	0.360	4.32	2700	106.97 3.03	6.69 0.26	43.10	
	G1238Y24BPLBxy-7	24 (15~27)	0.850	0.720	17.28	4500	178.28 5.05	18.58 0.73	57.60	350g (40pcs)
	G1238X24BPLBxy-7		0.630	0.550	13.20	4100	162.43 4.60	15.42 0.61	54.00	
	G1238H24BPLBxy-7		0.370	0.350	8.40	3500	138.66 3.93	11.24 0.44	49.70	
	G1238M24BPLPxy-7		0.290	0.255	6.12	3100	122.81 3.48	8.82 0.35	47.30	
	G1238L24BPLPxy-7		0.180	0.180	4.32	2700	106.97 3.03	6.69 0.26	43.10	
G1238Y48BPLBxy-7	48 (36~57)	0.540	0.360	17.28	4500	178.28 5.05	18.58 0.73	57.60	350g (40pcs)	
G1238X48BPLBxy-7		0.300	0.280	13.44	4100	162.43 4.60	15.42 0.61	54.00		
G1238H48BPLBxy-7		0.180	0.180	8.64	3500	138.66 3.93	11.24 0.44	49.70		
G1238M48BPLPxy-7		0.140	0.140	6.72	3100	122.81 3.48	8.82 0.35	47.30		
G1238L48BPLPxy-7		0.120	0.110	5.28	2700	106.97 3.03	6.69 0.26	43.10		

Remark:

- Part no. suffix: "xy"=Function detail or "x"=Function number. and "y"=customer ID
- R series - STANDARD series:  
 Uses a 2 coil complementary type drive offering low cost, applicable for higher power demanding applications and have more functions.
- G series - High Performance series:  
 Uses a single coil differential type drive with higher efficiency for higher power demanding applications.