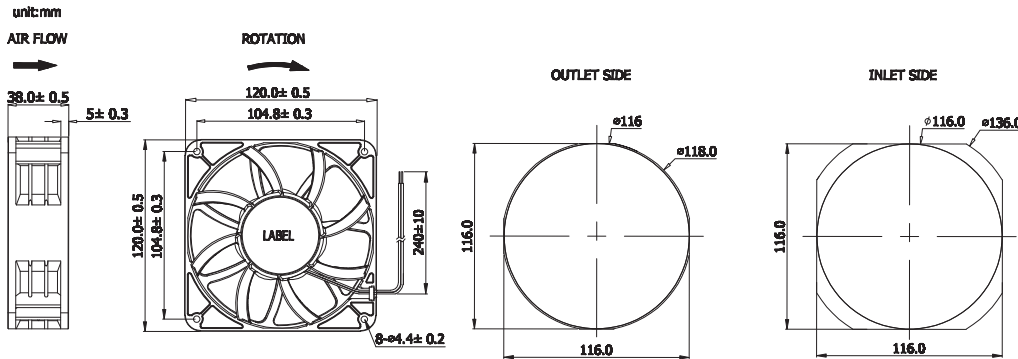
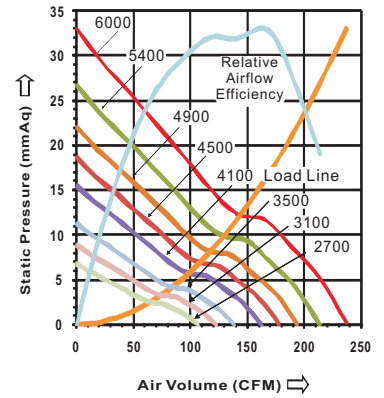


120x120x38mm (4.72x4.72x1.50in) - 7 blade



Bearing System— 2 Ball Bearing,
Life Expectancy— Ball 100000hrs @ 4200RPM @ 30° C
Frame----- Thermoplastic PBT+30% GF, UL94-V0
Impeller----- Thermoplastic PBT+15% GF, UL94-V0
Lead Wire----- UL 1007, AWG 24, 240±10mm, Red(+), Black(-)
Protection----- Locked rotor protection
IP Grade ----- IP51, IP54, IP56, IP67, IP68



Dim: 524x328x295mm
N.W.: 16.1 kgs
G.W.: 14.0 kgs
Q'TY: 40 pcs



| FUNCTIONS | PART NUMBER | RATED (VDC) | LABEL CURRENT | ACTUAL CURRENT | POWER (WATTS) | SPEED (RPM) | AIRFLOW (CFM)(m³/min) | PRESSURE (mmAq)(In H²O) | NOISE (dBA) | WEIGHT (Q'TY/CTN) |
|---|---|------------------|------------------|-----------------|---------------|-------------|-----------------------|-------------------------|-------------|-------------------|
| 1a:IR 1b:AS 2a:FG 2b:RD 2c:RDb 2d:LD | P1238Y12BPLBxy-7 | 12 (08~14) | 1.770 | 1.500 | 18.00 | 4500 | 178.28 5.05 | 18.58 0.73 | 57.60 | 350g (40pcs) |
| | P1238X12BPLBxy-7 | | 1.440 | 1.200 | 14.40 | 4100 | 162.43 4.60 | 15.42 0.61 | 54.00 | |
| | P1238H12BPLBxy-7 | | 0.860 | 0.750 | 9.00 | 3500 | 138.66 3.93 | 11.24 0.44 | 49.70 | |
| | P1238M12BPLPxy-7 | | 0.640 | 0.530 | 6.36 | 3100 | 122.81 3.48 | 8.82 0.35 | 47.30 | |
| | P1238L12BPLPxy-7 | | 0.410 | 0.360 | 4.32 | 2700 | 106.97 3.03 | 6.69 0.26 | 43.10 | |
| | 3a:VPWM 3b:IPWM 3c:PPWM 5a:TPWM 5b:RPWM 7a:CS | | P1238Y24BPLBxy-7 | 24 (15~27) | 0.850 | 0.720 | 17.28 | 4500 | 178.28 5.05 | |
| P1238X24BPLBxy-7 | | 0.630 | 0.550 | | 13.20 | 4100 | 162.43 4.60 | 15.42 0.61 | 54.00 | |
| P1238H24BPLBxy-7 | | 0.370 | 0.350 | | 8.40 | 3500 | 138.66 3.93 | 11.24 0.44 | 49.70 | |
| P1238M24BPLPxy-7 | | 0.290 | 0.255 | | 6.12 | 3100 | 122.81 3.48 | 8.82 0.35 | 47.30 | |
| P1238L24BPLPxy-7 | | 0.180 | 0.180 | | 4.32 | 2700 | 106.97 3.03 | 6.69 0.26 | 43.10 | |
| 1a:IR 1b:AS 2a:FG 2b:RD 2c:RDb 2d:LD 3a:VPWM 3b:IPWM 3c:PPWM 5a:TPWM 5b:RPWM 7a:CS | | P1238Y48BPLBxy-7 | 48 (36~57) | | 0.540 | 0.360 | 17.28 | 4500 | 178.28 5.05 | 18.58 0.73 |
| | P1238X48BPLBxy-7 | 0.300 | | 0.280 | 13.44 | 4100 | 162.43 4.60 | 15.42 0.61 | 54.00 | |
| | P1238H48BPLBxy-7 | 0.180 | | 0.180 | 8.64 | 3500 | 138.66 3.93 | 11.24 0.44 | 49.70 | |
| | P1238M48BPLPxy-7 | 0.140 | | 0.140 | 6.72 | 3100 | 122.81 3.48 | 8.82 0.35 | 47.30 | |
| | P1238L48BPLPxy-7 | 0.120 | | 0.110 | 5.28 | 2700 | 106.97 3.03 | 6.69 0.26 | 43.10 | |
| | 1a:IR 1b:AS 2a:FG 2b:RD 2c:RDb 2d:LD 3a:VPWM 3b:IPWM 3c:PPWM 5a:TPWM 5b:RPWM 7a:CS | K1238X12BPLBxy-7 | | 12 (08~13.2) | 2.544 | 2.544 | 30.53 | 5400 | 213.93 6.06 | 26.75 1.05 |
| K1238H12BPLBxy-7 | | 1.950 | 1.830 | | 21.96 | 4900 | 194.12 5.50 | 22.03 0.87 | 59.40 | |
| K1238Y24BPLBxy-7 | | 1.766 | 1.550 | | 37.20 | 6000 | 237.70 6.73 | 33.02 1.30 | 64.80 | |
| K1238X24BPLBxy-7 | | 1.207 | 1.207 | | 28.97 | 5400 | 213.93 6.06 | 26.75 1.05 | 62.00 | |
| K1238H24BPLBxy-7 | | 0.960 | 0.900 | | 21.60 | 4900 | 194.12 5.50 | 22.03 0.87 | 59.40 | |
| K1238Y48BPLBxy-7 | | 0.886 | 0.750 | | 36.00 | 6000 | 237.70 6.73 | 33.02 1.30 | 64.80 | |
| K1238X48BPLBxy-7 | 0.878 | 0.600 | 28.80 | 5400 | 213.93 6.06 | 26.75 1.05 | 62.00 | | | |
| K1238H48BPLBxy-7 | 0.509 | 0.460 | 22.08 | 4900 | 194.12 5.50 | 22.03 0.87 | 59.40 | | | |

Remark:

- Part no. suffix: "xy"=Function detail or "x"=Function number. and "y"=customer ID
- P series - Multifunction Extra High Performance series:
Uses a single coil differential type drive with higher efficiency and performance, for higher power demanding applications offering the complete line of functions.
- K series - Multifunction Extra High Performance series:
Uses a single coil differential type drive with the highest efficiency and maximum airflow performance with the complete line of functions and with Airflow and Pressure higher than the P series.