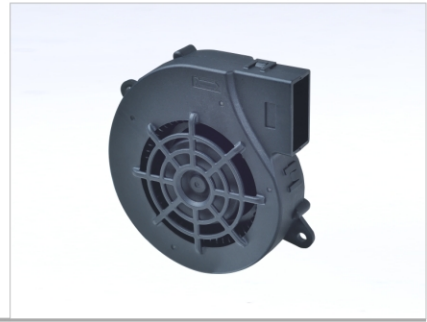


1025-53

100x98x26mm (3.93x3.85x1.02 in) - 53 blade



- Bearing System----- 2 Ball Bearing
- Life Expectancy----- Ball 70000hrs @ 3500RPM @ 30°C
- Frame----- Plastic Cover/Aluminum die cast Base
- Impeller----- Thermoplastic PBT+15% GF, UL94-V0
- Lead Wire----- UL 1007 AWG 24 280 ± 10mm, Red(+), Black(-)
- Protection----- Locked rotor protection
- IP Grade ----- IP51, IP54, IP56, IP67



IATF 16949:2016
ISO 9001:2015
ISO 14001:2015



Dim:524x288x255mm
N.W : 8.0kgs
G.W : 10.1kgs
Q'TY : 56pcs

FUNCTIONS	PART NUMBER	RATED (VDC)	LABEL CURRENT	ACTUAL CURRENT	POWER (WATTS)	SPEED (RPM)	AIRFLOW (CFM)(m³/min)		PRESSURE (mmAq)(In H ₂ O)		NOISE (dBA)	WEIGHT (Q'TY/CTN)
1a:IR 1b: AS 2a: FG 2b: RD 2c: RDb 2d: LD 2e: LDb 3a: VPWM 3b: IPWM 3c: PPWM 5a: TPWM 6a: RPWM 7a: CS	B1025H12BPLBxy-53	12 (07~14)	0.800	0.620	7.44	4500	15.42	0.44	19.56	0.77	52.20	140g (56PCS)
	B1025M12BPLBxy-53		0.430	0.390	4.68	3800	13.02	0.37	13.95	0.55	48.90	
	B1025L12BPLBxy-53		0.240	0.210	2.52	3000	10.28	0.29	8.69	0.34	44.30	
	B1025H24BPLBxy-53	24 (15~27)	0.400	0.310	7.44	4500	15.42	0.44	19.56	0.77	52.20	140g (56PCS)
	B1025M24BPLBxy-53		0.215	0.195	4.68	3800	13.02	0.37	13.95	0.55	48.90	
	B1025L24BPLBxy-53		0.120	0.105	2.52	3000	10.28	0.29	8.69	0.34	44.30	

Remark:

1. Part no. suffix: "xy" =Function detail or "x" =Function number. and "y" =customer ID

