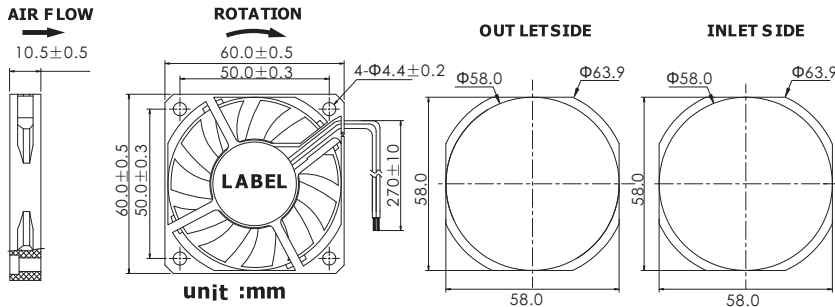
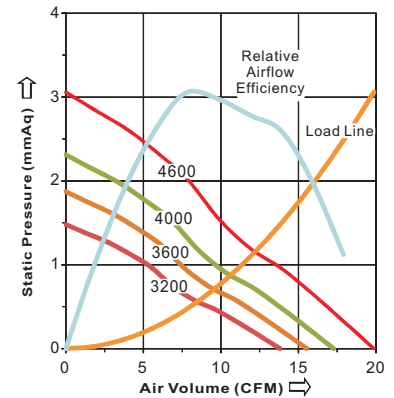


60x60x10mm (2.36x2.36x0.39in) - 11 blade


Bearing System— 2 Ball Bearing
 Life Expectancy— Ball 70000hrs @ 4600RPM @ 30°C
 Frame----- Thermoplastic PBT+30% GF, UL94-V0
 Impeller----- Thermoplastic PBT+15% GF, UL94-V0
 Lead Wire----- UL 1007, AWG 26, 270±10mm, Red(+), Black(-)
 Protection----- Locked rotor protection
 IP Grade ----- IP51, IP54, IP56



Dim: 573x354x299mm
 N.W.: 13.1 kgs
 G.W.: 16.7 kgs
 Q'TY: 480 pcs



FUNCTIONS	PART NUMBER	RATED (VDC)	LABEL CURRENT	ACTUAL CURRENT	POWER (WATTS)	SPEED (RPM)	AIRFLOW (CFM)(m³/min)	PRESSURE (mmAq)(In H²O)	NOISE (dBA)	WEIGHT (Q'TY/CTN)
1b:AS 2a:FG 2b:RD	C6010H05BPLPxy-11	05 (04~06)	0.310	0.230	1.15	4000	17.28 0.49	2.31 0.09	32.07	30g (480pcs)
	C6010M05BPLPxy-11		0.200	0.190	0.95	3600	15.55 0.44	1.87 0.07	29.70	
	C6010L05BPLPxy-11		0.180	0.154	0.77	3200	13.82 0.39	1.48 0.06	24.91	
1b:AS 2a:FG 2b:RD	C6010H12BPLPxy-11	12 (07~14)	0.280	0.180	2.16	4600	19.87 0.56	3.06 0.12	35.04	30g (480pcs)
	C6010M12BPLPxy-11		0.170	0.120	1.44	4000	17.28 0.49	2.31 0.09	32.07	
	C6010L12BPLPxy-11		0.130	0.090	1.08	3600	15.55 0.44	1.87 0.07	29.70	
1b:AS 2a:FG 2b:RD	C6010H24BPLPxy-11	24 (15~27)	0.150	0.120	2.88	4600	19.87 0.56	3.06 0.12	35.04	30g (480pcs)
	C6010M24BPLPxy-11		0.100	0.074	1.78	4000	17.28 0.49	2.31 0.09	32.07	
	C6010L24BPLPxy-11		0.060	0.060	1.44	3600	15.55 0.44	1.87 0.07	29.70	
1b:AS 2a:FG 2b:RD	D6010H12BPLPxy-11	12 (07~14)	0.280	0.180	2.16	4600	19.87 0.56	3.06 0.12	35.04	30g (480pcs)
	D6010M12BPLPxy-11		0.170	0.120	1.44	4000	17.28 0.49	2.31 0.09	32.07	
	D6010L12BPLPxy-11		0.130	0.090	1.08	3600	15.55 0.44	1.87 0.07	29.70	
1b:AS 2a:FG 2b:RD	D6010H24BPLPxy-11	24 (15~27)	0.150	0.120	2.88	4600	19.87 0.56	3.06 0.12	35.04	30g (480pcs)
	D6010M24BPLPxy-11		0.100	0.074	1.78	4000	17.28 0.49	2.31 0.09	32.07	
	D6010L24BPLPxy-11		0.060	0.060	1.44	3600	15.55 0.44	1.87 0.07	29.70	

Remark:

- Part no. suffix: "xy"=Function detail or "x"=Function number. and "y"=customer ID
- C series - STANDARD series:
Uses a 2 coil complementary type drive offering low cost and limited functions.
- D series - High Performance series:
Uses single coil differential type drive with higher efficiency and more functions (depending on the specific model).